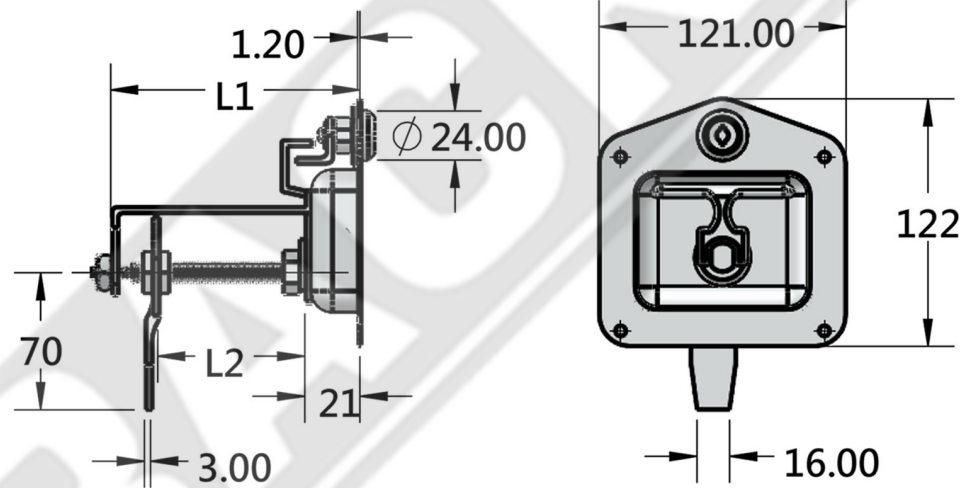
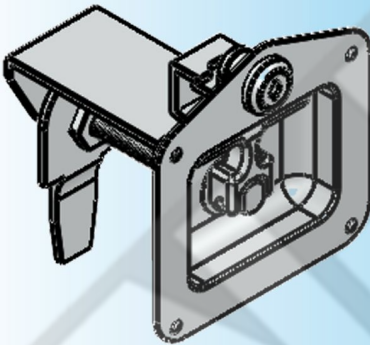


For Product Step File or 3D Model Send a Request Mail To info@nrack.com

Photo View



3D Rendered View



PART NUMBER	DIMENSIONS	
	L1	L2
CP-01	121	50-75
CP-01 A	80	25-50

CP - 01

- Material: Zinc Die - Handles, Stainless